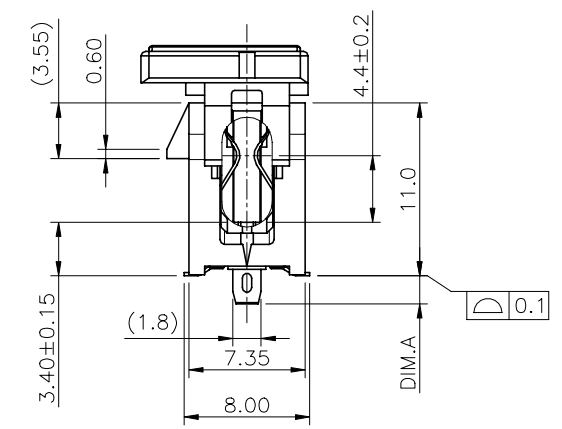


- NOTES:
- MATERIAL:
 - HOUSING: THERMOPLASTIC, HIGH TEMP.,UL94V-0; COLOR:BLACK.
 - LATCH: THERMOPLASTIC, HIGH TEMP.,UL94V-0; COLOR:BLACK.
 - CONTACT: COPPER ALLOY
 - FIT NAIL: COPPER ALLOY

- FINISH:
 - CONTACT:
 - GOLD PLATING ON CONTACT AREA.
 - 100~200u" MATTE TIN PLATING ON SOLDER TAILS.
 - 50~100u" NICKEL UNDERPLATING OVERALL.
 - FIT NAIL:
 - 100~200u" MATTE TIN PLATING ON SOLDER TAILS.
 - 50~100u" NICKEL UNDERPLATING OVERALL.

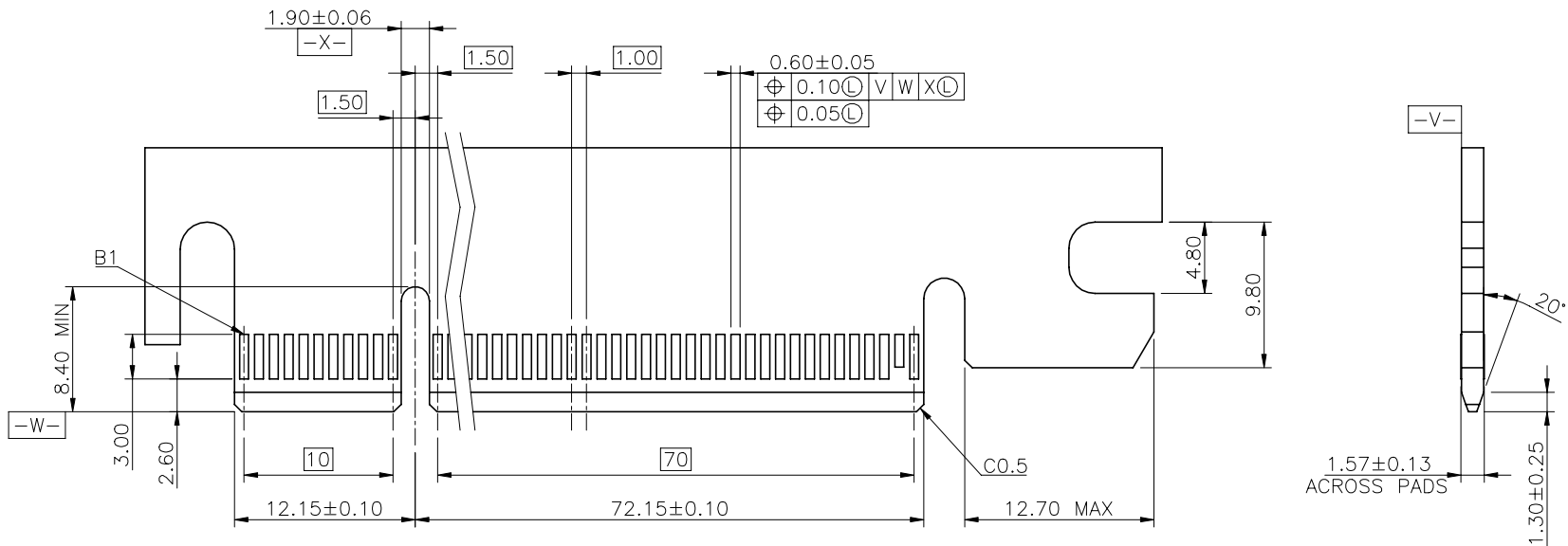
- REFLOW SOLDER CAPABLE TO 260°C ,PER ACES SPEC.
- SPEC. PLS. REFER TO PS-52710-XXXX-XXX
- PACKAGE PLS. REFER TO 52717-164TRAY

6. PART NUMBER
 52717-XXX X X-XXX
 NO OF CKT TYPE
 164 002: FIT NAIL TYPE
 PACKING PLATING
 2:TRAY D: 30u" GOLD PLATING
 6:TRAY WITH MYLAR

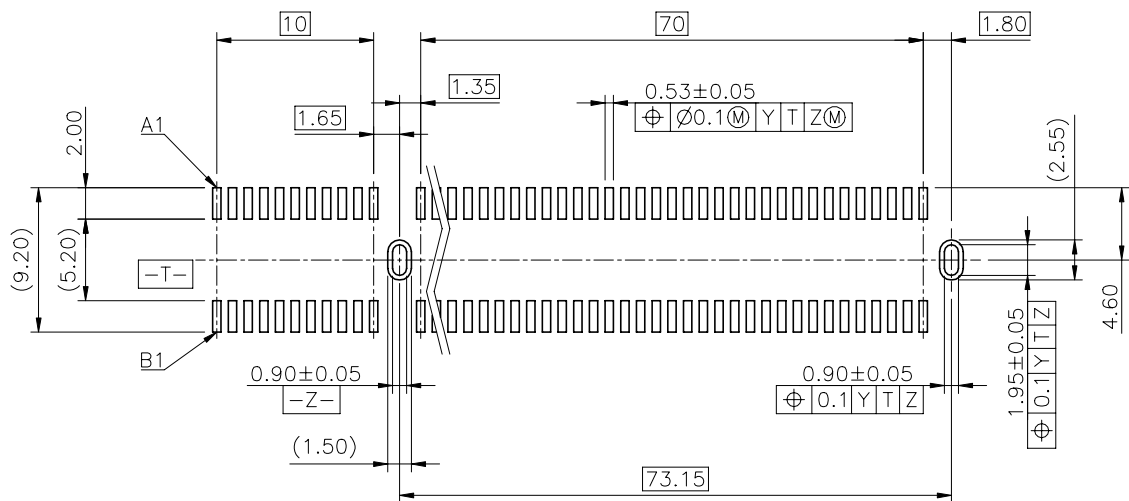


QUALITY SYMBOLS MAJOR Ⓢ CRITICAL Ⓢ GENERAL TOLERANCES (UNLESS SPECIFIED) X. ±0.5 .X ±0.25 .XX ±0.15 .XXX ±0.1 ANGLES ±2°	DRAWN BY Liang, Chen Huan	DATE 22'/02/23	
	CHECKED BY Lee, I Hung	DATE 22'/02/23	
	APPROVED BY Wang, Chun Sheng	DATE 22'/02/23	REV Q NO. N/A
	UNITS mm		SCALE 2 : 1
	SCALE 2 : 1	SHEET NO. 1 OF 2	REV A
			DWG NO. 52717-XXXXX-XXX

PART NO.	DIM. A
52717-164xx-002	2.70



RECOMMENDED EDGE CARD GOLDEN FINGER LAYOUT
GENERAL TOLERANCE ±0.05



THE -Y- IS PCB SURFACE
RECOMMENDED PCB LAYOUT
GENERAL TOLERANCE ±0.05

QUALITY SYMBOLS MAJOR Ⓢ CRITICAL Ⓢ GENERAL TOLERANCES (UNLESS SPECIFIED) X. ±0.5 .X ±0.25 .XX ±0.15 .XXX ±0.1 ANGLES ±2°	DRAWN BY Liang, Chen Huan	DATE 22'/02/23		
	CHECKED BY Lee, I Hung	DATE 22'/02/23		
	APPROVED BY Wang, Chun Sheng	DATE 22'/02/23	TITLE PCIE EXPRESS(GEN5) CARD EDGE WITH LATCH CONN V/T SMT TYPE	
	UNITS mm		SIZE A4	RFQ NO. N/A
SCALE 2 : 1	SHEET NO. 2 OF 2	REV A	DWG NO. 52717-XXXXX-XXX	